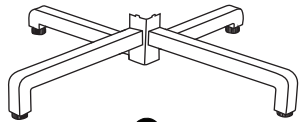


Material Identification



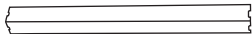
A

1 pcs.
Base



B

1 pcs.
Threaded rod



C

1 pcs.
Profile column



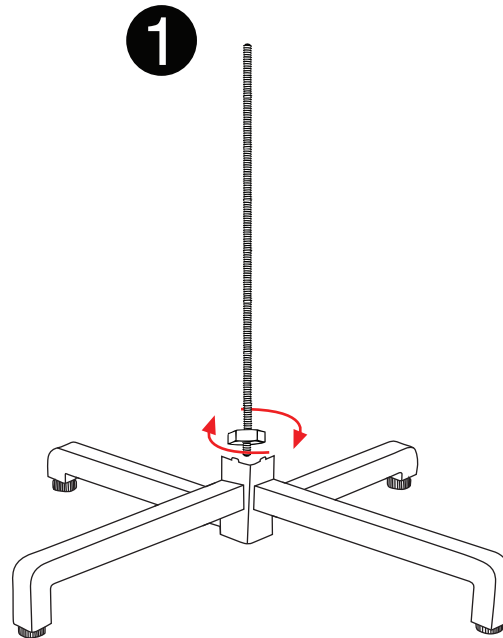
D

1 pcs.
Fouldable flange
Round M1

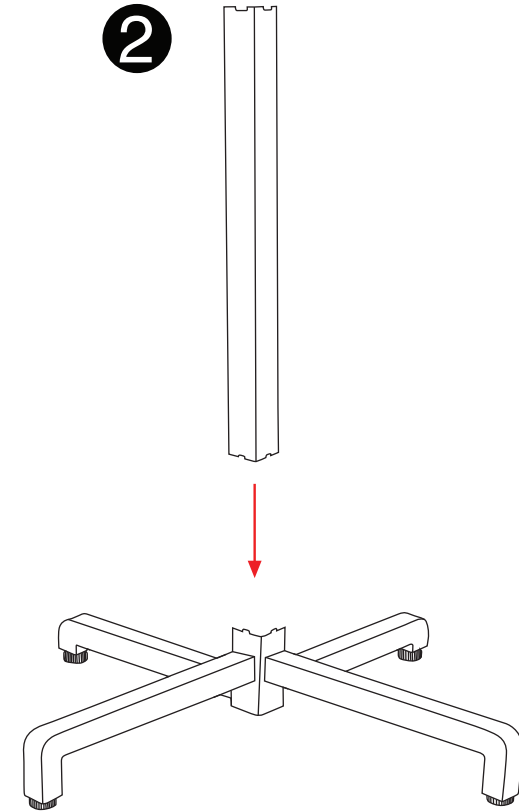


E

1 pcs.
M10 nut



1

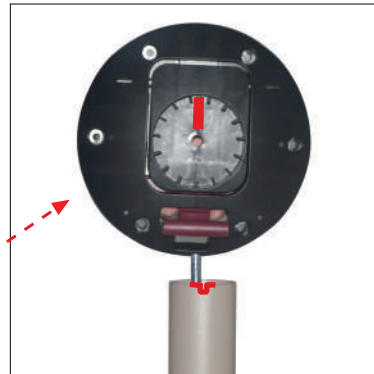


2

3

Locate the flange (D) to column (C).

D



Caution!

make sure before fixing, flange (D) and column (C) standing in the right position. While locating the flange (D) to column (C) the nails on the flange have to meet the notch on the column.

Caution!

Folding flange position must be like left image. Place the hook side of flange on the low base side.

4

Fix the flange with nut by rotating

E

