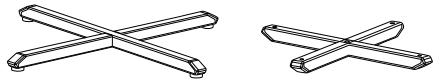


Material Identification



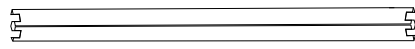
A

1 pcs.
Base



B

1 pcs.
Flange



C

1 pcs.
Column



D

1 pcs.
Table top



E

2 pcs.
m10x30 screws



F

4 pcs.
m6x10 screws



G

4 pcs.
Flange cap



H

2 pcs.
Washers

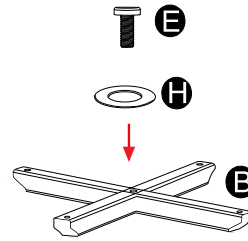


I

1 pcs.
Allen key

1

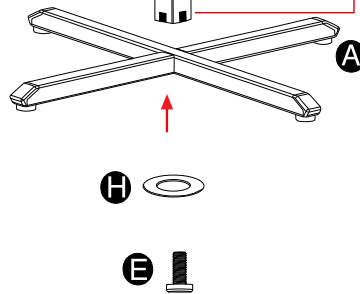
Locate the flange (B) to column (C) by using m10x30 screw (E)



Caution!
Take the protective part before the assembly.

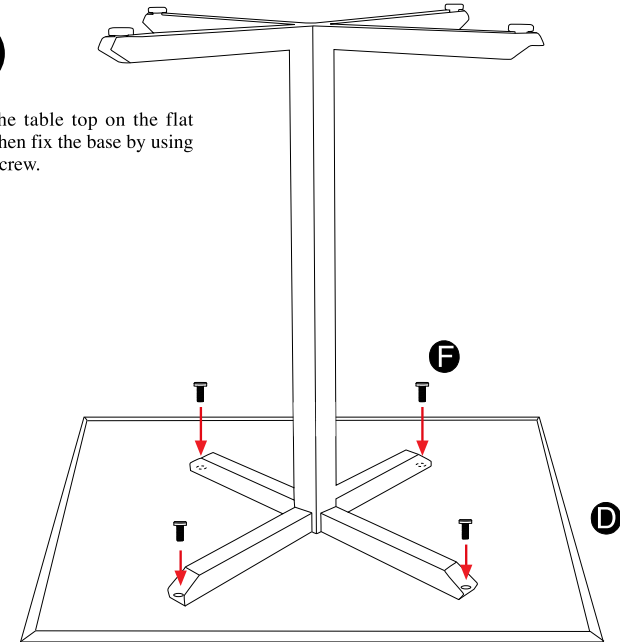
2

Locate the base (A) to column (C) by using m10x30 screw (E)



3

Place the table top on the flat ground then fix the base by using m6x10 screw.



4

Place the flange caps in to the frame.

