

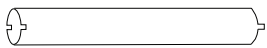
### Material Identification



**A**  
1 pcs.  
Metal base



**B**  
1 pcs.  
Column anchor



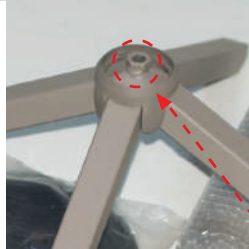
**C**  
1 pcs. Column



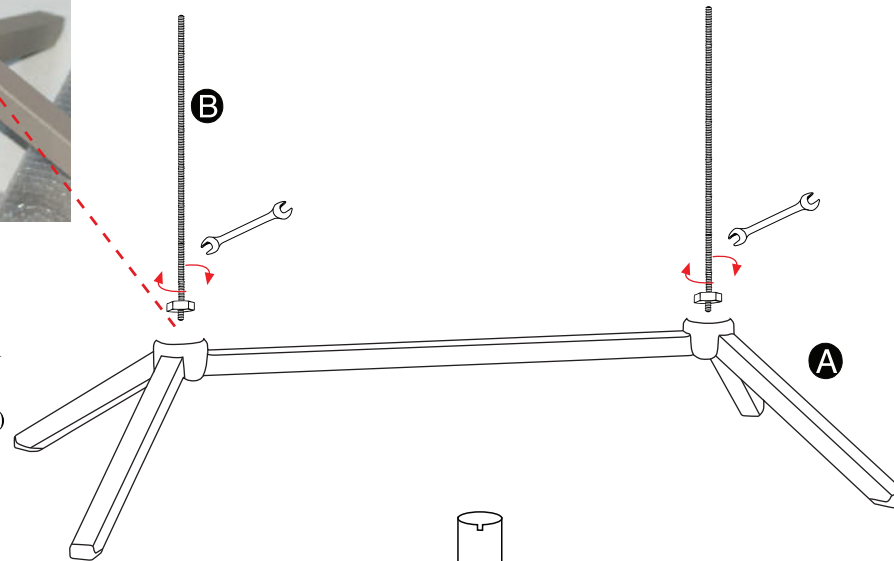
**D**  
1 pcs.  
Foldable flange  
Round M1



**E**  
1 pcs.  
M10 nut



- 1** Locate the column anchor (B) to base(A).  
Tighten the anchor (B) by rotating in direction of arrow on the base (A)



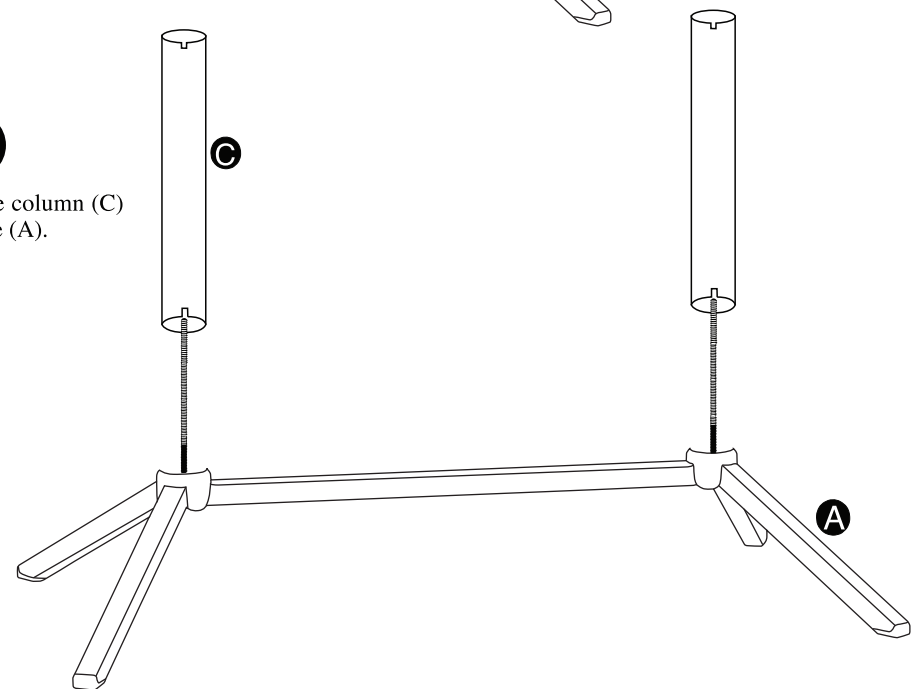
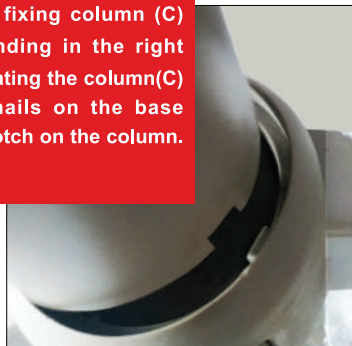
**2**

- Locate the column (C) on the base (A).

### Caution!

make sure before fixing column (C) and base (A) standing in the right position. While locating the column(C) to base (A) the nails on the base have to meet the notch on the column.

fixing position



3

Locate the flange (D) to column (C).



### Caution!

make sure before fixing, flange (D) and column (C) standing in the right position. While locating the flange (D) to column (C) the nails on the flange have to meet the notch on the column.

4

Fix the flange with nut by rotating

